

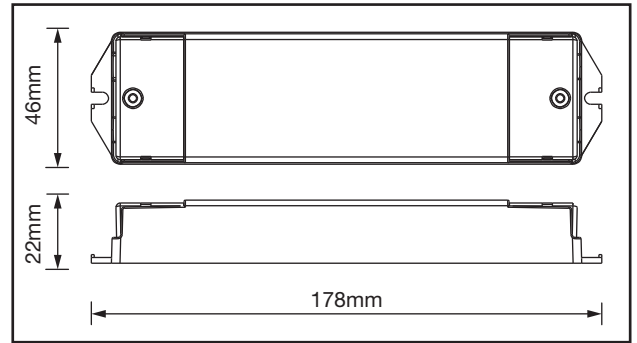
## ASCDIM/DMX

DMX Constant Voltage Dimming Unit  
(20A)

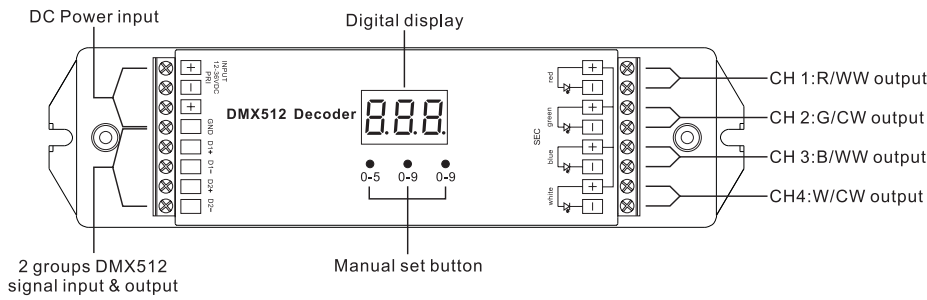
# StripMOD

### PRODUCT FEATURES

- Compatible With DMX512
- 1-100% Dimming Range
- Smooth Dimming
- High Performance
- 4 Channel 5A Output (4x60w at 12v / 4x120w at 24v)
- LED Driver & LED Strip Required
- Compatible With RGB/RGB+W LED Strips



### PRODUCT FEATURES



### WIRING DIAGRAM

